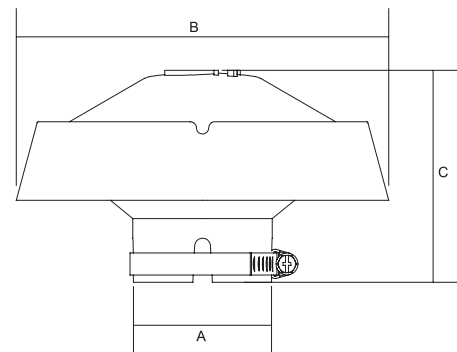
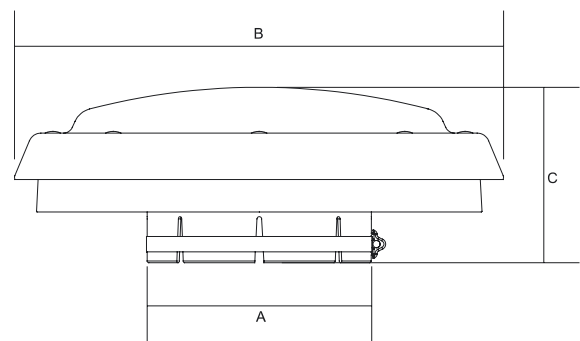


## Rain Caps

### Rain Caps protect Against Large Debris Ingestion

#### Mount on Stack Top or directly to Air Cleaner

- Protects engine air intake from rain, snow, birds, and other large contaminants.
- Mounts on stack or directly to air cleaner for on-road and off-road equipment.
- Four styles in a wide variety of sizes.
- Installs easily with one clamp which is included.



Rain Caps			
Part Number	Dimensions		
	A mm	B mm	C mm
H770066	45	110	56
H001377	52	152	86
H001378	64	152	86
H001379	77	152	86
H770010	96	266	132
H770081	96,5	200	140
H770011	102	266	130
H770012	115	266	126
H770013	128	266	123
H770090	154	405	144
H770089	179	405	144
H001053	207	405	157
H770082	254	406	189