

Mounting Bands

Plastic Mounting Bands

Designed exclusively for the FPG Air Cleaners

The new developed bracket for the FPG series is fitted tightly around the air cleaner body by means of springloaded screws.

Benefits of the new design

Over 600 hours of intensive vibration testing under high temperature showed that:

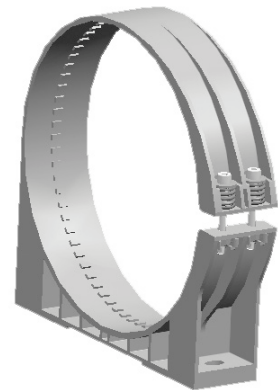
- Tight fit between body and mounting band enhances components durability
- The springs compensate for dimensional changes due to temperature fluctuations, maintaining a tight fit
- Critical functions, i.e. Twist and Lock mechanism, remain unaffected

Other benefits

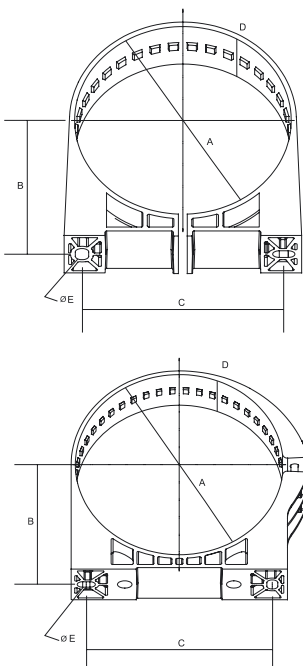
- Fool proof installation: bolts are tightened to predetermined height. The band is under tension at all times.
- More user friendly as the base is no longer split



4" and 5" Plastic Mounting Bands for FPG Air Cleaners.



6", 7", 8", 9" and 10" Plastic Mounting Bands for FPG Air Cleaners with springloaded screws.



Plastic Mounting Bands						
Part Number	Diameter "	Dimensions				
		A mm	B mm	C mm	D mm	Ø E mm
4" and 5" Mounting Bands for FPG Air Cleaners						
H770059	4"	345	191,5	179	38	10
P777151	4"	122,0	79,0	116,0	40,0	9,0
P777730	5"	146,0	90,0	136,0	50,5	9,0
6", 7", 8", 9" and 10" Mounting Bands for FPG Air Cleaners with springloaded screws						
P778810	6"	171,5	99,5	153,5	50,5	9,0
P778901*	6"	171,5	99,5	90,0	50,5	9,0
P781831*	6"	171,5	99,5	93,0	50,5	9,0
P777731	7"	182,0	104,5	163,0	50,5	9,0
P777732	8"	211,5	119,5	190,0	50,5	9,0
P780580*	8"	211,5	119,5	110,0	50,5	9,0
P780378**	8"	212,0	119,5	110,0	85,0	9,0
P780532	9"	241,0	136,0	143,0	50,5	9,0
P780594	10"	268,0	149,5	143,0	80,0	11,0

* With insert M8

** Double 8" Mounting Band needed

Mounting Bands

Plastic Mounting Bands

Designed Exclusively for the FPG Air Cleaners

Installation Specifications for 6", 7", 8", 9" and 10" Plastic Mounting Bands for FPG Air Cleaners with springloaded screws.

Features

- Vibration: Up to 6 G Peak
- Maximum operating temperature: 82 °C continuous
- Tightening torque for clamps and bolts: see picture below

