

FPG RadialSeal™ Alexin™ for Medium Dust Conditions

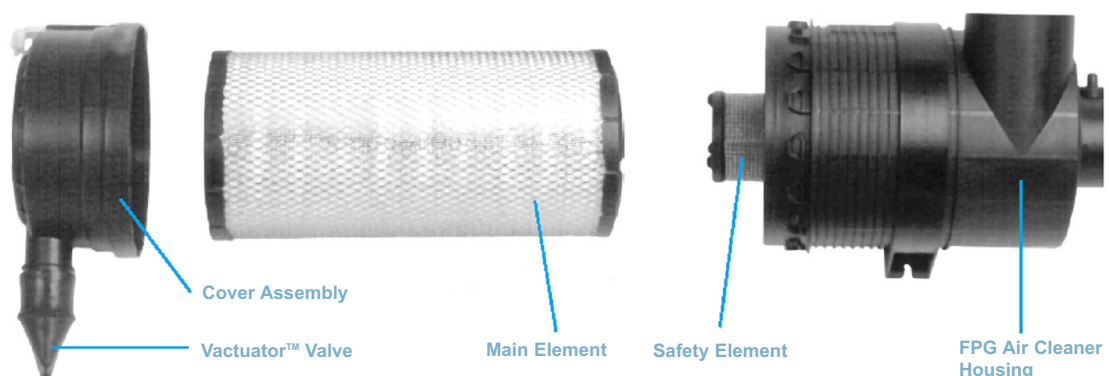
The FPG RadialSeal™ Alexin™ Air Cleaner is a two-stage full-plastic air cleaner with a built-in Pre-Cleaner and RadialSeal™ Sealing Technology.

Product Description:

- Light weight
- Compact
- Corrosion resistant
- Two-stage Air Cleaner
- Black U.V. resistant
- Easy to service
- Flexible Installation
- High tech body design
- Suitable for medium-duty applications
- Only one mounting band needed per body size
- Optical restriction indicators may be fitted
- High quality security Twist and Lock system



FPG Structure





FPG RadialSeal™ Alexin™ Specifications

Air Cleaner Model No.	Curve No.	Main Element	Safety Element	Dust Cap*	Vactuato™ Valve	Raincap	Plastic Mounting Band**
G065497*	1	P822968	P822769	P780401	P522958	H001378	P778810
G065498	2	P822768	-	P780401	P522958	H001378	P778810
G065499*	3	P822768	P822769	P780401	P522958	H001378	P778810
G065500	3	P822768	-	P780401	P522958	H001378	P778810
G082580*	5	P828889	P829333	P780403	P158914	H770010	P777732
G082581	6	P828889	-	P780403	P158914	H770010	P777732
G082582*	7	P828889	P829333	P780403	P158914	H770010	P777732
G082583	8	P828889	-	P780403	P158914	H770010	P777732
G090219*	9	P780522	P780523	P780524	P776008	H770012	P780532
G090220	10	P780522	-	P780524	P776008	H770012	P780532
G090225*	11	P780522	P780523	P780524	P776008	H770012	P780532
G090226	12	P780522	-	P780524	P776008	H770012	P780532
G100317*	13	P781039	P777639	P780578	P776008	H770012	P780594
G100318	14	P781039	-	P780578	P776008	H770012	P780594
G100319*	15	P781039	P777639	P780578	P776008	H770012	P780594
G100320	16	P781039	-	P780578	P776008	H770012	P780594

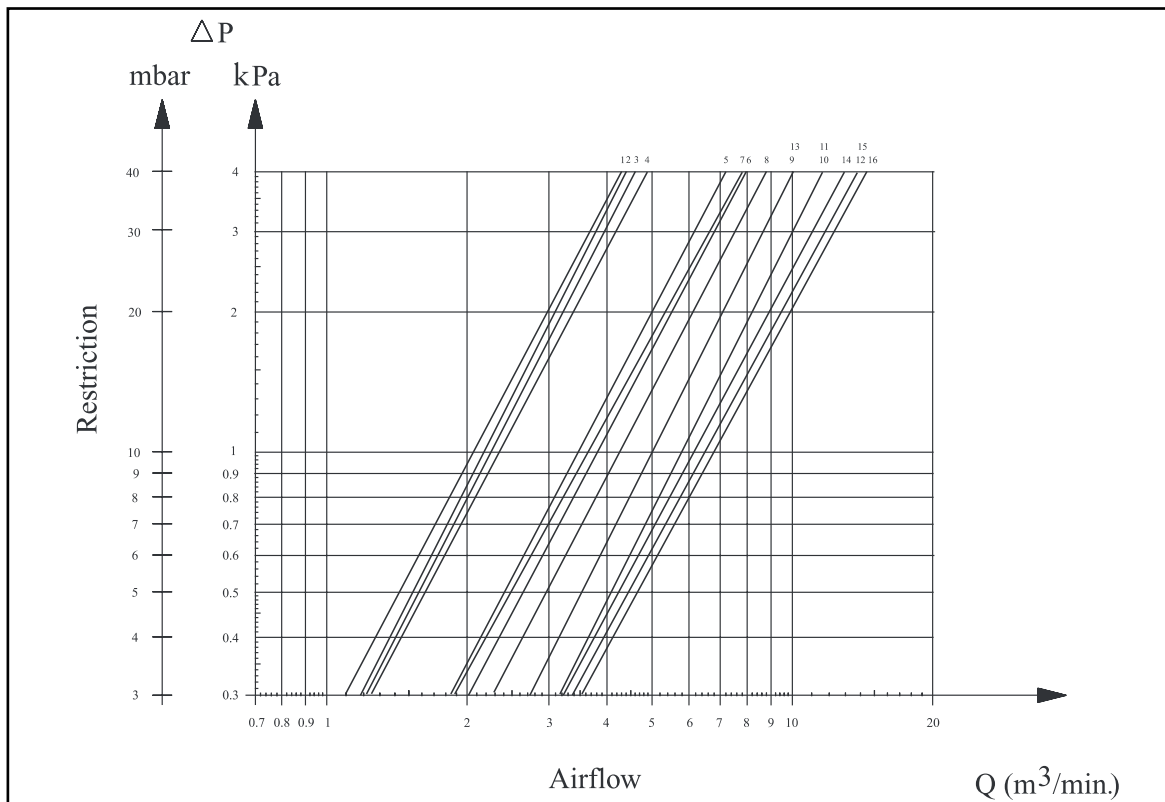
* Spare Part only

** Only one mounting band needed per air cleaner

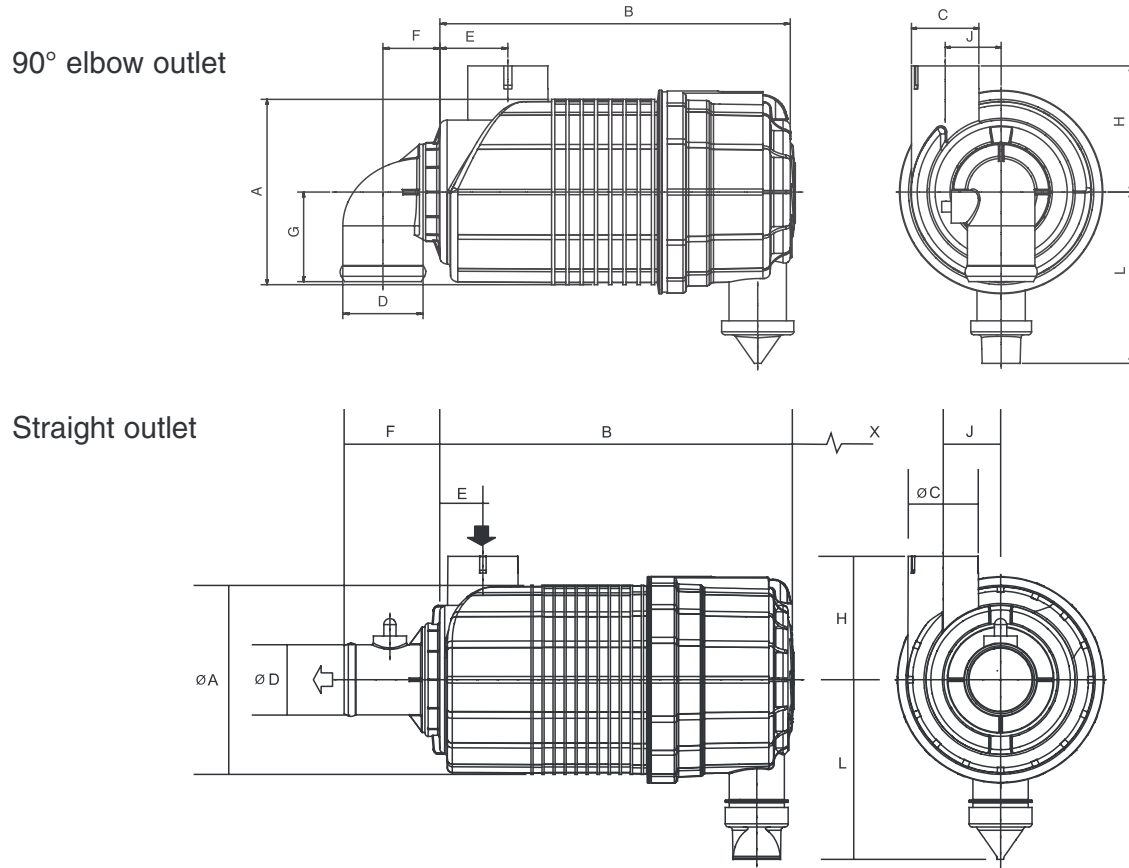
When specifying an Air Cleaner...

Determine the Airflow Requirements of your engine, then find the corresponding m³/ min. airflow in the table below.

The restriction numbers (shown in kPa) indicate the approximate initial restriction of each model air cleaner at that m³/ min. If there are two air cleaner models that fit your parameters, choosing the one with the lowest restriction will provide the longest filter service life. When calculating total initial restriction of the entire air intake system, include the restriction caused by ducting, elbows, pre-cleaners, etc..



FPG RadialSeal™ Alexin™ Specifications



Curve No.	Style	Air Cleaner Model No.	Airflow Range m ³ / min.	Dimensions (mm)										
				A	B	C	D	E	F	G	H	J	L	X°
1	FPG	G065497" *	1.5 - 3.8	172	326	63.5	63.5	43.5	40.8	78	112	52	163	300
2	FPG	G065498"	1.5 - 4.1	172	326	63.5	63.5	43.5	40.8	78	112	52	163	300
3	FPG	G065499▲ *	1.5 - 3.8	172	326	63.5	63.5	43.5	82.2	-	112	52	163	300
3	FPG	G065500▲	1.5 - 4.1	172	326	63.5	63.5	43.5	82.2	-	112	52	163	300
5	FPG	G082580" *	4.0 - 7.5	213	369	95	89	53.4	53.5	105	138	57	183	355
6	FPG	G082581"	4.0 - 8.0	213	369	95	89	53.4	53.5	105	138	57	183	355
7	FPG	G082582▲ *	4.0 - 7.5	213	369	95	89	53.4	83	-	138	57	183	355
8	FPG	G082583▲	4.0 - 8.0	213	369	95	89	53.4	83	-	138	57	183	355
9	FPG	G090219" *	5.0 - 10.0	242	409	114	89	61.5	53.5	105	170	60	260	370
10	FPG	G090220"	5.0 - 10.0	242	409	114	89	61.5	53.5	105	170	60	260	370
11	FPG	G090225▲ *	5.0 - 10.0	242	409	114	101.5	61.5	87	-	170	60	260	370
12	FPG	G090226▲	5.0 - 10.0	242	409	114	101.5	61.5	87	-	170	60	260	370
13	FPG	G100317" *	8.0 - 13.0	268	432	114	101.5	70.5	60.2	120	185	72	269	390
14	FPG	G100318"	8.0 - 14.0	268	432	114	101.5	70.5	60.2	120	185	72	269	390
15	FPG	G100319▲ *	8.0 - 13.0	268	432	114	101.5	70.5	87.5	-	185	72	269	390
16	FPG	G100320▲	8.0 - 14.0	268	432	114	101.5	70.5	87.5	-	185	72	269	390

" 90° elbow outlet

* Includes safety element

▲ Straight outlet

° In column X above - free space needed to remove element