

FPG RadialSeal™ for Medium Dust Conditions

The FPG RadialSeal™ Air Cleaner is a two-stage full-plastic air cleaner with a built-in Pre-Cleaner and RadialSeal™ Sealing Technology.

Product Description:

Applications

- Provides up to 18m³/min. airflow per air cleaner – double throughput by using two units.
- Installation can be horizontal, vertical, or even at an angle (as long as Vacuator™ Valve points down).
- 4", 5", 7", 8" and 10" diameter sizes.
- Temperature tolerance: 83°C sustained.

Air Cleaner Features

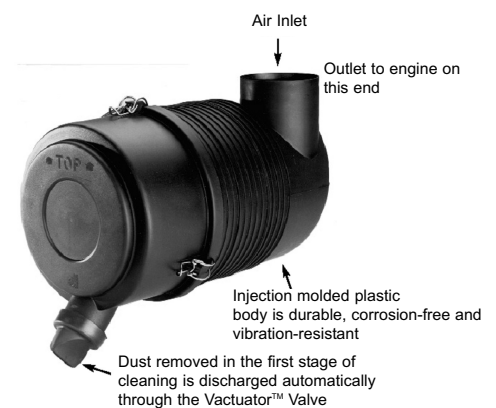
- Easy to service! No tools needed! Usually done in 5 minutes or less!
- Durable plastic housing - corrosion-free and lightweight.
- Two-stage air filtration! Built-in, tangential pre-cleaner ahead of main element removes up to 85% of incoming dust.
- Easy to fasten latches (no bolts!) retain dust cup/cover.
- 45° Vacuator™ Valve orientation permits either vertical or horizontal air cleaner mounting (the dust cup can be incrementally rotated to suit specific application).
- Safety element protects engine during in-field filter changeouts.
- Already tapped to accept filter service indicator.

Filter Features

- RadialSeal™ Sealing Technology means reliability and easy service – the filter is self-centering and self-aligning!
- One piece, molded urethane endcaps encase the filter media and liners – reducing components, adding reliability and lowering cost.



FPG Structure





FPG RadialSeal™ Specifications

Air Cleaner Model No.	Curve No.	Main Element	Safety Element	Dust Cap*	Vactuato™ Valve	Raincap	Plastic Mounting Band**
G042546	1	P822686	-	P777153	P522958	H770066	P777151
G042575	2	P822686	P535396	P777153	P522958	H770066	P777151
G057502	3	P772578	P775298	P775308	P522958	H001377	P777730
G057504	3	P772578	-	P775308	P522958	H001377	P777730
G057505	5	P775631	-	P775308	P522958	H001377	P777730
G070006	6	P772579	P775300	P775311	P522958	H001379	P777731
G070059	6	P772579	P775300	P778758	P522958	H001379	P777731
G070009	7	P772579	-	P775311	P522958	H001379	P777731
G070060	7	P772579	-	P778758	P522958	H001379	P777731
G082503	8	P772580	P775302	P775305	P775569	H770010	P777732
G082505	9	P772580	-	P775305	P775569	H770010	P777732
G082508	9	P772580	P775302	P775305	P522958	H770010	P777732
G100274	10	P777588	-	P777589	P158914	P776343	Integrated
G100275	11	P777592	-	P777593	P158915	P776343	Integrated
G100280	12	P777588	P777779	P777589	P158916	P776345	Integrated
G100285	13	P777592	P778776	P777593	P158917	P776346	Integrated

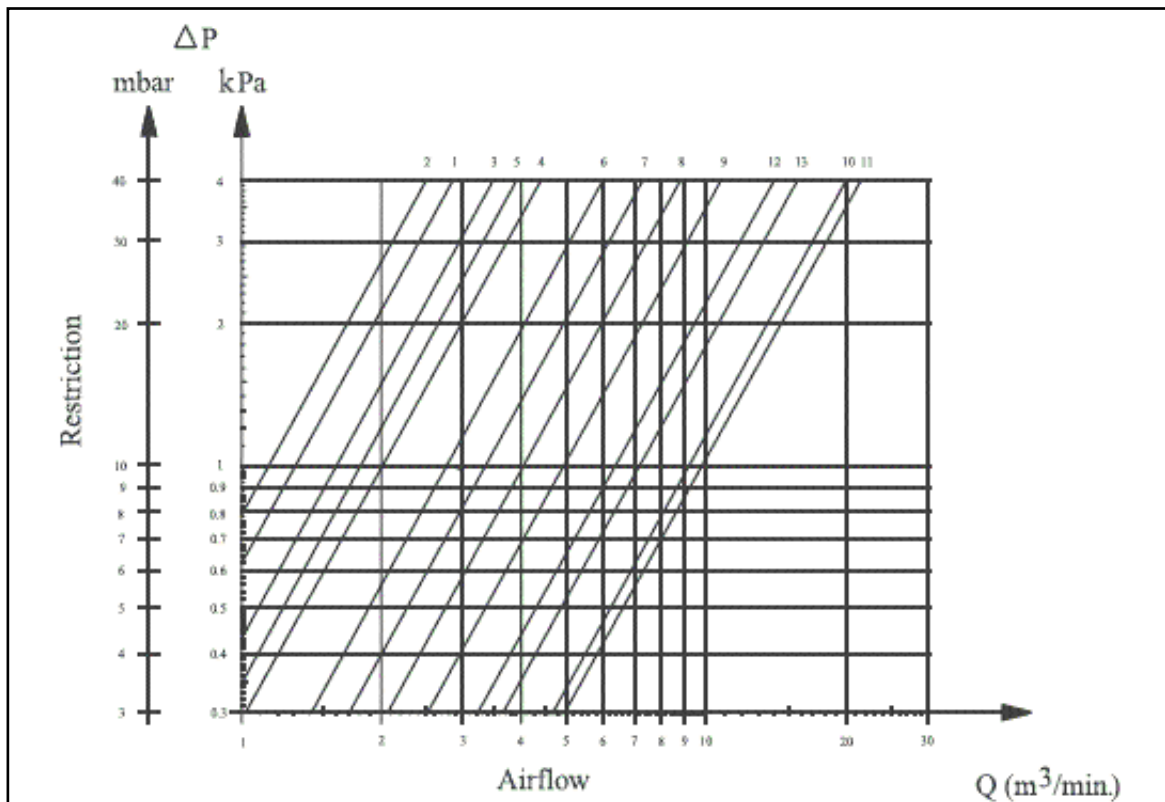
* Spare Part only

** Only one mounting band needed per air cleaner

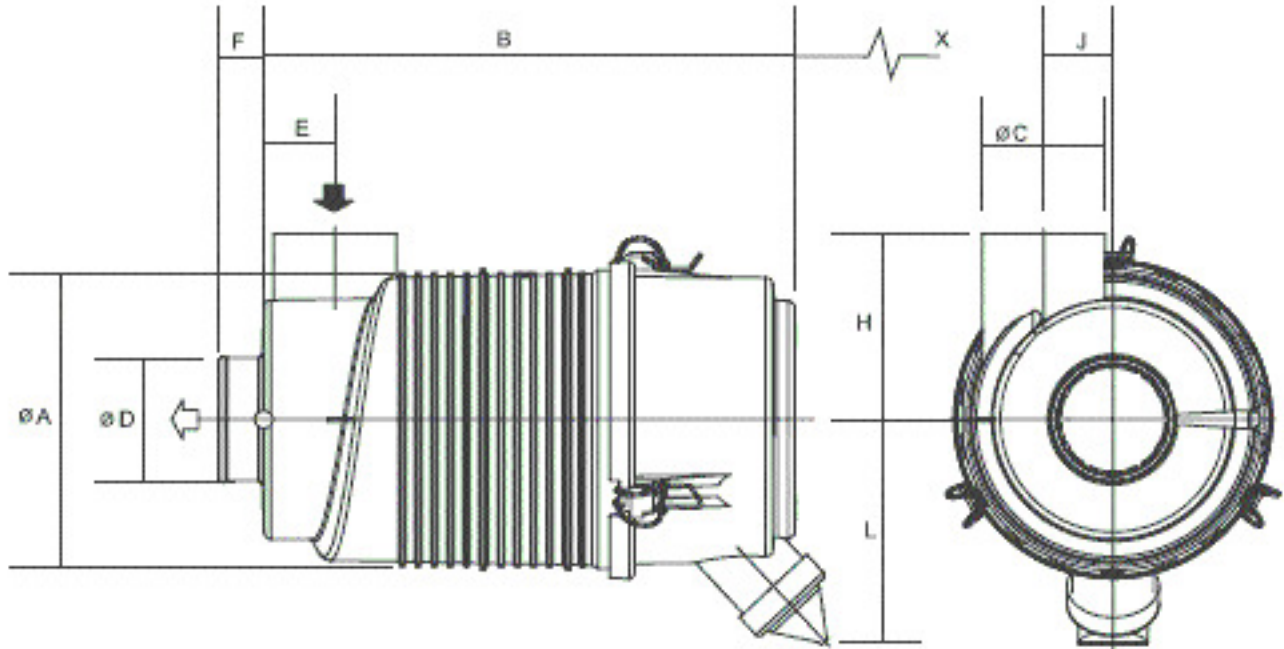
When specifying an Air Cleaner...

Determine the Airflow Requirements of your engine, then find the corresponding m³/ min. airflow in the table below.

The restriction numbers (shown in kPa) indicate the approximate initial restriction of each model air cleaner at that m³/ min. If there are two air cleaner models that fit your parameters, choosing the one with the lowest restriction will provide the longest filter service life. When calculating total initial restriction of the entire air intake system, include the restriction caused by ducting, elbows, pre-cleaners, etc..



FPG RadialSeal™ Specifications



Curve No.	Style	Air Cleaner Model No.	Airflow Range m ³ / min.	Dimensions (mm)								
				A	B	C	D	E	F	H	J	L
1	FPG	G042546	0.5 - 1.1	122	189	45	45	40	25	83	37	105
2	FPG	G042575*	0.5 - 1.0	122	189	45	45	40	25	83	37	105
3	FPG	G057502*	1.0 - 2.75	146	300	51	51	42	25	100	43.5	115
3	FPG	G057504	1.0 - 3.0	146	300	51	51	42	25	100	43.5	115
5	FPG	G057505**	1.0 - 2.75	146	300	51	51	42	25	100	43.5	115
6	FPG	G070006*	2.0 - 4.7	182	330	76	76	45	27	115	43	138
6	FPG	G070059*	2.0 - 4.7	182	334	76	76	45	27	115	43	171
7	FPG	G070009	2.0 - 5.0	182	330	76	76	45	27	115	43	138
7	FPG	G070060	2.0 - 5.0	182	334	76	76	45	27	115	43	171
8	FPG	G082503*	4.0 - 8.0	212	355	95	89	54	30	130	48	215
9	FPG	G082505	4.0 - 8.5	212	355	95	89	54	30	130	48	215
9	FPG	G082508	4.0 - 8.5	212	355	95	89	54	30	130	48	154
10	FPG	G100274	6.0 - 12.0	262	385	190	127	150	35	180	69	180
11	FPG	G100275	8.0 - 16.0	262	530	190	127	150	35	180	69	180
12	FPG	G100280*	6.0 - 11.0	262	385	190	127	150	35	180	69	180
13	FPG	G100285*	8.0 - 14.0	262	530	190	127	150	35	180	69	180

* Includes safety element

** High pulsation application