

## Vacuum Filter VAK

Steel filter housing for the processing of air used in the vacuum technology.

### Product description:

When a suction potential is generated by means of a vacuum pump a vacuum filter is required. The vacuum filter is installed on the suction side of the vacuum pump and protects the vacuum pump from impurities (particles/fluids).

Due to optimised construction the housings offer low differential pressures at high suction capacities. A multitude of various housings with different connections allow to match the requirements of the application, e.g. equivalent to the pump size.

This product offers 9 different housings ranging from a suction capacity of 135 to 4800 m<sup>3</sup>/h (related to 1 bar abs. and 20°C).



### Technical Data

Materials:	
Filter housing EC-type approval	Steel
Sealing acc. to DIN 2690	Asbestos free sealing

Connection IN / Out:
Flange DN 50 to DN 300, DIN 2633

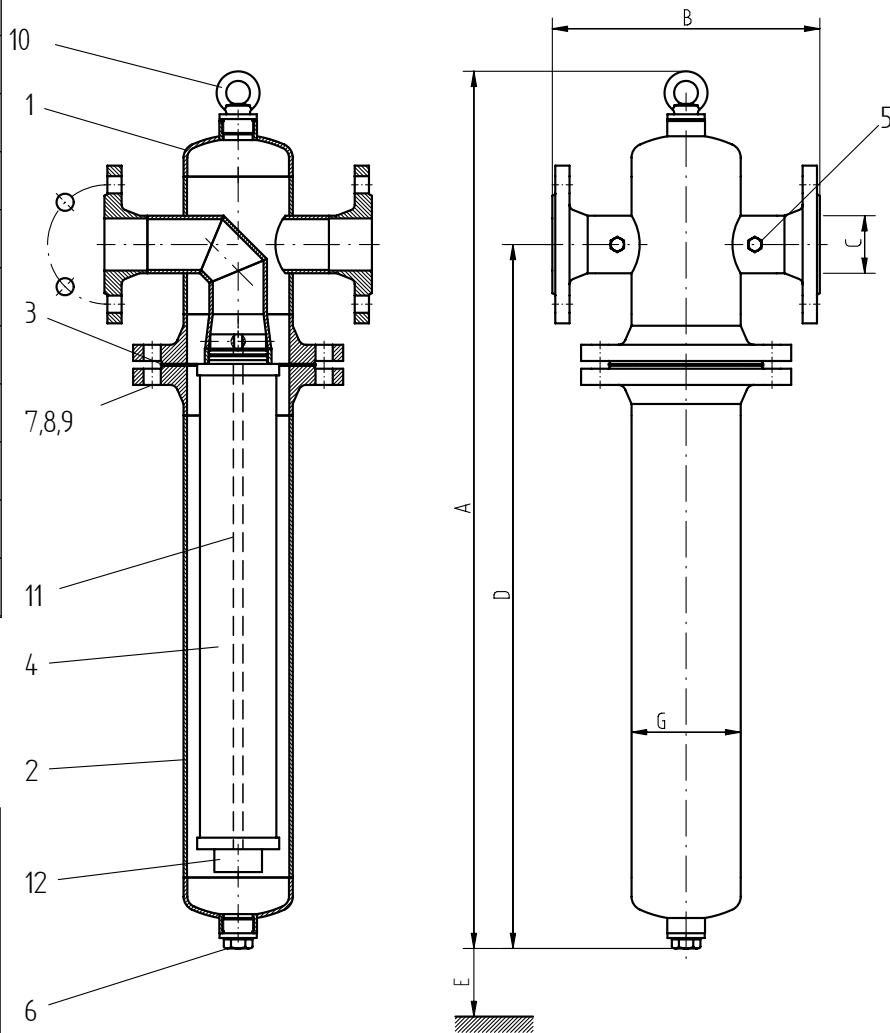
Maximum operating pressure:	
0108-0288:	16 bar
0432-3840:	16 bar

Maximum operating temperature:
+1°C / +65°C

Surface finish:
Polyester resin coating

## Vacuum filter VAK 0108 - 0192

Pos.	Description
12	knurled nut
11	anchor bolt
10	lifting eye bolt
9	washer
8	hexagon nut
7	hexagon bolt
6	screw plug
5	screw plug
4	filter element
3	housing gasket
2	lower housing bowl
1	upper housing bowl



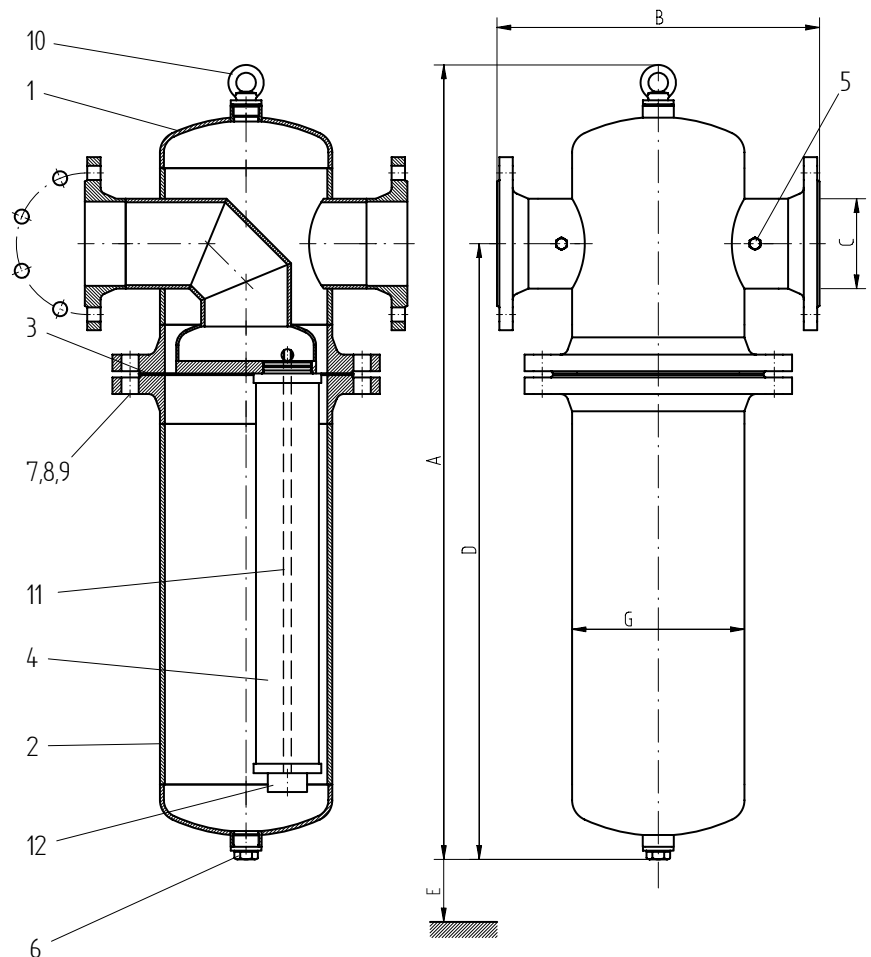
max. operating pressure:	16 bar
Test pressure:	24 bar
Max. operating temperature:	+1°C / +65°C
Material:	Carbon steel
Paint coat:	Polyester resin coating

Size	Volume (l)	Weight* (kg)	A mm	B mm	C	D mm	E mm	∅ G mm	Element
0108	7,5	28	930	280	DN 50	735	450	114,3	15/30
0144	8,0	33	930	280	DN 65	735	580	114,3	20/30
0192	16,0	40	1230	320	DN 80	1035	850	139,7	30/30

\* without filter element

## Vacuum filter VAK 0432 - 3840

Pos.	Description
12	knurled nut
11	anchor bolt
10	lifting eye bolt
9	washer
8	hexagon nut
7	hexagon bolt
6	screw plug
5	screw plug
4	filter element
3	housing gasket
2	lower housing bowl
1	upper housing bowl



Max. operating pressure:	16 bar
Test pressure:	24 bar
Max. operating temperature:	+1°C / +65°C
Material:	St
Anstrich:	Polyester resin coating

Size	Volume (l)	Weight* (kg)	A mm	B mm	C	D mm	E mm	ø G mm	Element
0432	31	80	1010	410	DN 100	780	580	219.1	3 x 20/30
0576	40	90	1280	410	DN 100	1050	850	219.1	3 x 30/30
1152	103	150	1425	540	DN 150	1140	875	323.9	6 x 30/30
1920	168	240	1535	660	DN 200	1195	875	406.4	10 x 10/30
3072	312	380	1650	800	DN 250	1270	875	508	16 x 16/30
3840	463	530	1780	930	DN 300	1355	900	600	20 x 20/30

\* without filter element