

## Vacuum Filter VAK

Aluminium filter housing for the processing of air used in the vacuum technology.

### Product description:

When a suction potential is generated by means of a vacuum pump a vacuum filter is required. The vacuum filter is installed on the suction side of the vacuum pump and protects the vacuum pump from impurities (particles/fluids).

The housings are made of three parts and due to an optimised construction offer low differential pressures at high suction capacities. A multitude of various housings with different connections allow to match the requirements of the application, e.g. equivalent to the pump size.

This product offers 14 different housings ranging from a suction capacity of 2.5 to 360 m<sup>3</sup>/h (related to 1 bar abs. and 20°C).

The VAK vacuum Filter conforms to the requirements of the European directive 97/23/EG for pressure vessels.



### Technical Data

Features:	Benefits:
Filter housing:	
Housing made of three parts	Installation maintenance
Acoustic alarm signal	Maximum safety
Optimized housing construction for best flow velocity	Savings in purification costs of compressed air and gases

Maximum operating pressure:	
0002-0288	16 bar

Maximum operating temperature:
+1°C / +65°C

Materialien:	
Filter housing	Aluminium die cast resp. mold cast
Screw locking ring with acoustic warning signal	Aluminium
Sealing O-Ring	Parting compound free, made of Perbunan

Surface finish:
Polyester resin coating

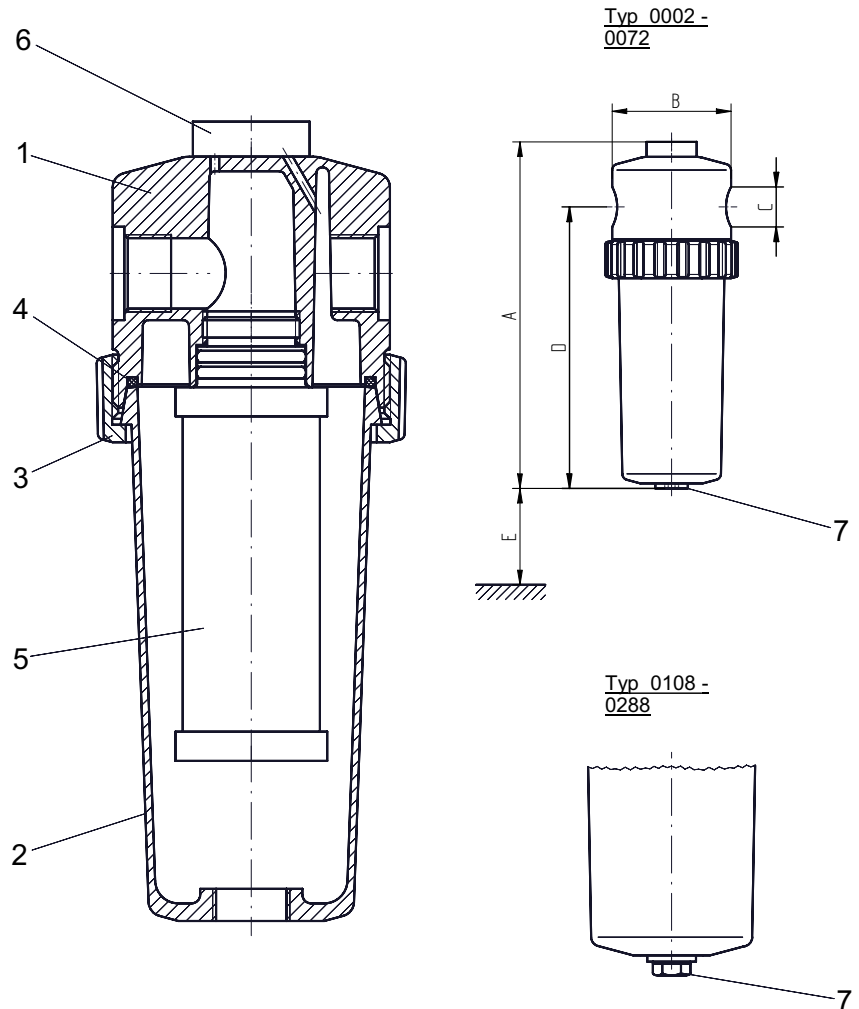
Connection:
1/4" bis 3" BSP

## Vacuum filter VAK 0002 - 0288

Pos.	Piece	Description
7	1	screw plug
6	1	cap
5	1	filter element
4	1	housing O-ring
3	1	screw locking ring
2	1	lower housing bowl
1	1	upper housing bowl

Max. operating pressure:	16 bar
Test pressure:	22.88 bar
Operating temperature:	+1°C / +65°C
Design temperature:	120°C
Material:	VAK 0002 - 0036 EN AC-AISI 12 (Fe) VAK 0048 - 0288 EN AC-AISI 7 Mg 0.3
Paint coat:	Polyester, resin coating

Classification acc. to 97 / 23 / EG for fluids of group 2	
AG 0002 - 0036	Art. 3, par. 3
AG 0048 - 0192	Cat. I
AG 0288	Cat. II



Housing size	Volume (l)	Weight* (kg)	A mm	ø B mm	C	D mm	E mm	Element size
0002	0.35	0.6	210	70	G 1/4	170	75	02/05
0004	0.35	0.6	210	70	G 3/8	170	90	03/05
0006	0.5	1.1	260	80	G 3/8	200	90	03/10
0009	0.5	1.1	260	80	G 1/2	200	120	04/10
0012	0.9	1.6	280	95	G 1/2	225	120	04/20
0018	0.9	1.6	280	95	G 3/4	225	150	05/20
0027	1.4	1.9	355	110	G 1	290	150	05/25
0036	1.4	1.9	355	110	G 1 1/4	290	200	07/25
0048	4.5	5.2	470	150	G 1 1/2	395	200	07/30
0072	4.5	5.2	470	150	G 2	395	280	10/30
0108	6.0	7.4	610	160	G 2	535	450	15/30
0144	7.5	10.0	750	180	G 2 1/2	665	580	20/30
0192	9.7	11.1	1000	180	G 3	915	850	30/30
0288	18.0	17.4	1010	210	G 3	925	850	30/50

\* without filter element