

Pneumatic controlled condensate drain UFM-P

Product description:

Pneumatic level-controlled condensate drain, suitable for the operation in explosion-endangered areas.

Function:

Fig.1:

Condensate drips through the intake port (1) and is collected in vessel (2). The control valve (4) is closed and the surge chamber (5) is vented. The Operation pressure in vessel (2) presses the diaphragm (8) at its seat and thus separates the condensate channel at the pressure side from the other one at the exit side (10).

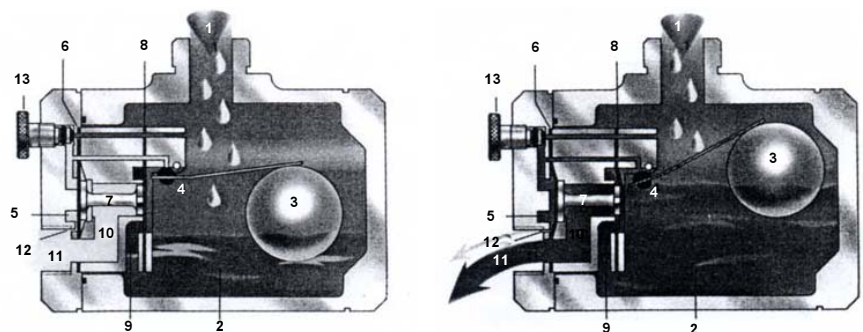


Fig. 2:

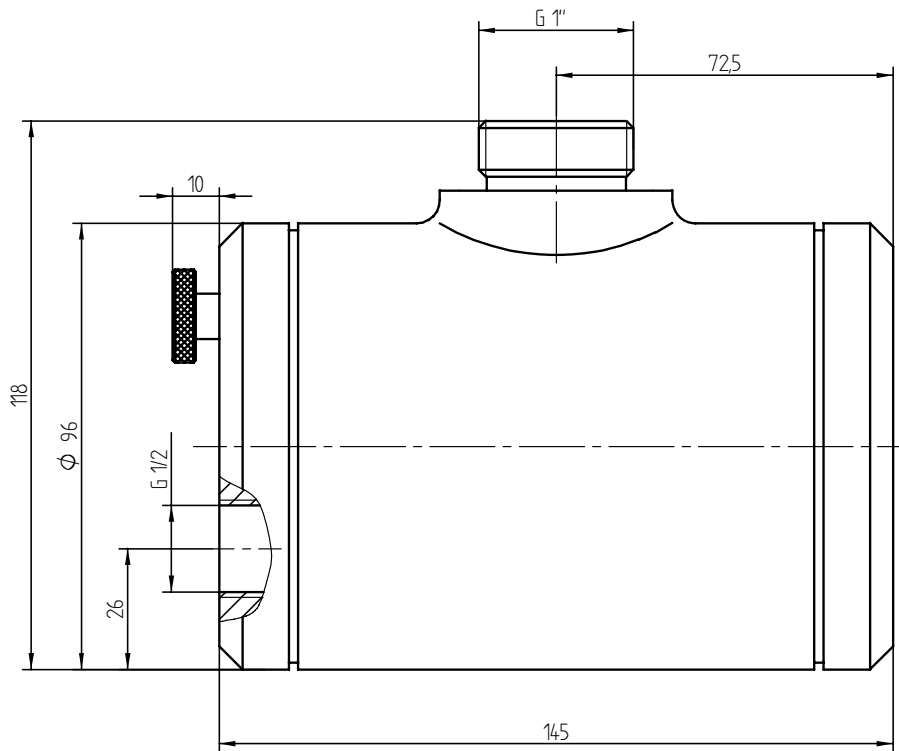
If much condensate has been collected in the vessel, the float is lifted and compressed air can get into the surge chamber (5) over the control valve (4). The diaphragm (6) is pressed to the right hand side and opens the diaphragm (8) by means of the piston (7). Now the condensate can drain to the exit (11) over channel (9) and (10). If the float (3) moves down with the condensate level so far that the control valve closes again, the surge chamber is vented over nozzle (12). The diaphragm (6) as well as the diaphragm (8) over the piston (7) come back to their starting position, so that the drainage is closed again. A testing of the function of the outlet valve can be done by means of the hand valve (13).

Features/ Advantages:

- reliable drainage of large amounts of condensate
- problem-free drainage of pure oil by means of hydrostatic level measuring
- almost maintenance free
- a minimum of installation work
- great function safety due to large drain bores
- pneumatic double membrane servo valve with long service life
- a minimum of space needed due to small height of unit
- manual override
- operation without electricity, therefore applicable in hazardous areas



Pneumatic controlled condensate drain UFM-P



Maximum operating pressure:
0,8 - 16 bar

Operating temperature:
+ 1°C to + 80°C

Performance:
450 l/h at 7 bar and 20°C

Materials:	
Housing:	Sea water resistant aluminium chill casting. Blue polyester resin coating on the outside
Float:	Float made of stainless steel

Connections:	
Outer:	1" BSP, Condensate inlet
Inner:	1/2" BSP, Condensate outlet